



CAUTION TO PUMPER

Jet Pumping Instructions

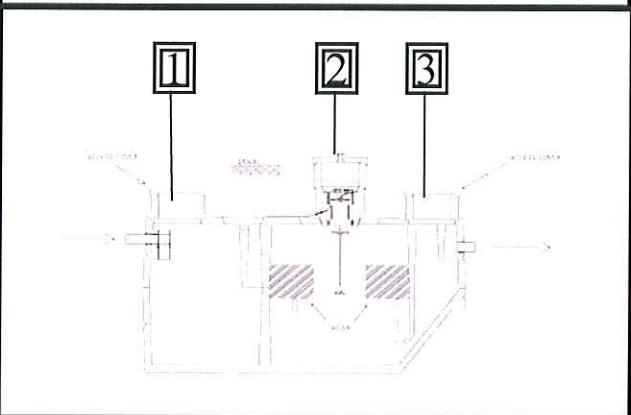
Media Compartment Pumping 500 Thru 1500 GPD Plants:

- 1) Jet service technicians must air clean the media tank before pumping.
- 2) Remove tank access covers. Remove aerator(s). Always place aerator so shaft and foam restrictor do not contact any surface. You can lean aerator against the mounting casting as long as the shaft is pointing straight up. Even a small bend in the shaft will shorten the aerator's lifespan.
- 3) The pumping hole in some media is very small (see 1500 gpd drawing). Take extreme care not to touch any part of the media with the pump hose or the tip of the pump hose - **serious damage can occur if the media is stressed by the vacuum or the hose.**
- 4) The hole in the media center can not be seen from the surface. Carefully lower the hose down the center of the mounting casting, through the hole in the media, and down to the bottom of the tank.
- 5) Pump tank until empty and carefully remove hose. Use caution not to touch the media with the hose as the hose is being removed.
- 6) Rinse out all compartments and pump out residual water.
- 7) Reinstall aerator(s) and access covers.

ACCESS COVERS

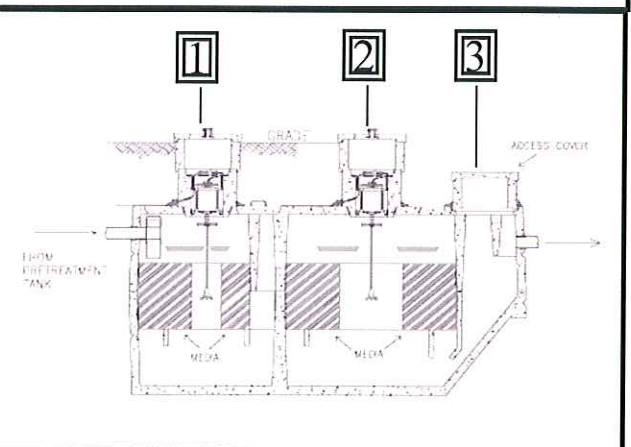
500 600 & 750 GPD

There are three access covers. Pump from access cover one and two.



1000, 1250 & 1500 GPD

These systems have two sets of media, use caution when pumping from riser one and two. There is also a separate pretreatment tank that will require pumping.



750 Alpha Dr. Cleveland, OH 44143 USA Phone: (440) 461-2000 Fax: (440) 442-9008 email@jetincorp.com www.jetincorp.com



About Your Jet Home Sewage Treatment Plant

DO'S & DON'TS

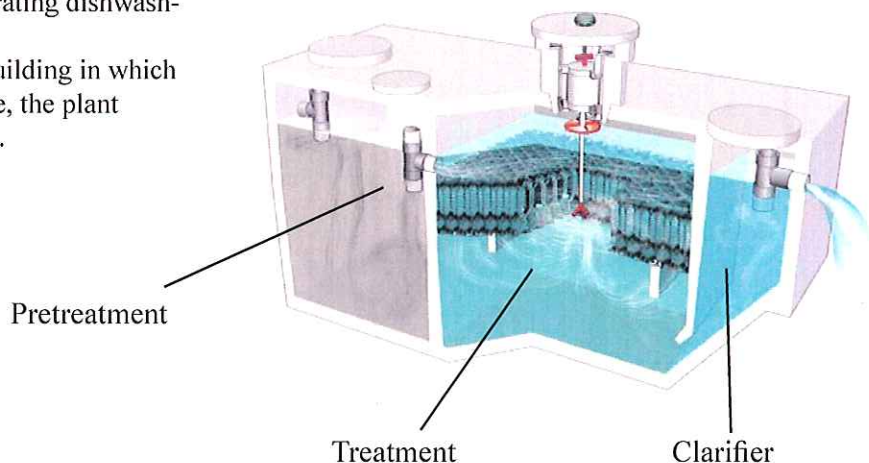
Avoid These Items

Do not put any of the following items in your plant or sewage system. They will cause serious damage to the plant's biological process and equipment.

1. Plastic, sanitary napkins, scouring pads, condoms, mop strings, "disposable" diapers, towels, lint, rags, etc. These items will collect in your plant and require more frequent pumping
2. Paints, thinner, chemicals, grease, solvents and sanitizer. These kill the good bacteria in your plant.
3. Water softener backwash. Route to drainage ditch, storm sewer or downspout drainage system.
4. Heavy plumbing cleaners and toilet bowl freshener hang tabs will also kill off the good bacteria in your plant.

Things to Do

- Know the location of your control panel and check periodically for alarm conditions
- Keep a record of pumping, inspections, and maintenance
- Practice water conservation to reduce the amount of water going into the Jet System.
- Learn the location of your Jet system, avoid constructing patios, decks, and paved surfaces over your system
- Divert roof drains and surface water from your Jet system.
- Keep sump pump water and house footing drains away from the Jet system.
- Reduce heavy water usage periods by separating dishwashing and laundry from shower time
- If your plant serves a vacation home or a building in which all occupants will be absent part of the time, the plant should be left running during your absence.



How your Home Jet Plant Works

Three Compartments

- 1. The Pretreatment Compartment** - receives the wastewater and partially treats it physically and biologically before it enters the Center Treatment Compartment.
- 2. The Treatment Compartment** - technically referred to as the "bio-reactor", the Jet Aerator injects air to provide oxygen so that the huge number of microorganisms (biomass) can grow and attach to the submerged Jet BAT Process Media[®]. This Biomass converts the wastewater to odorless, colorless liquid and gases. The microorganisms provide an extraordinarily effective treatment process and the mixing by the aerator insures that all wastewater in the compartment comes in contact with the microorganisms for total treatment.
- 3. The Clarifying Compartment** - where fine particles settle and return to the treatment compartment. This leaves only a clear, odorless, highly treated liquid for discharge.

